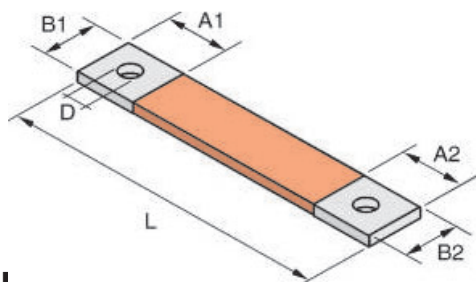
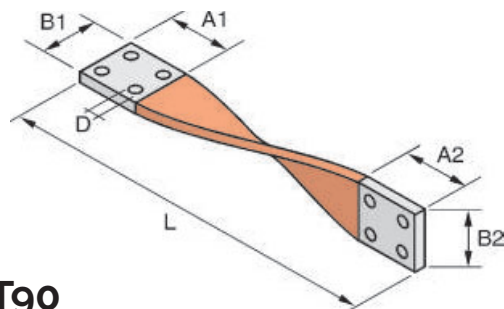


Come possiamo costruire un flessibile

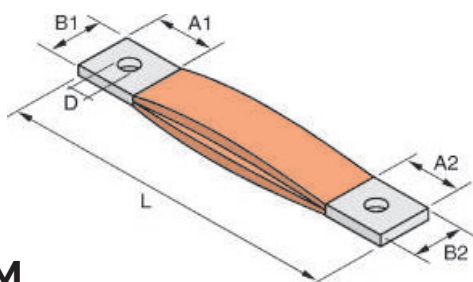
How we can manufacture the flexible power link



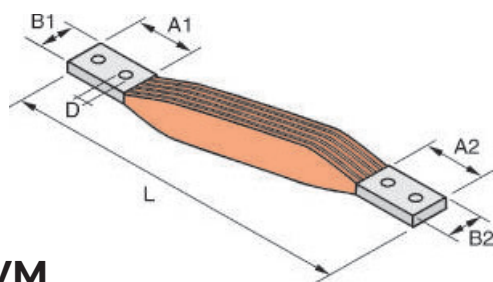
Type **U**



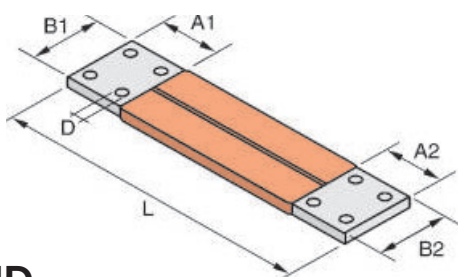
Type **T90**



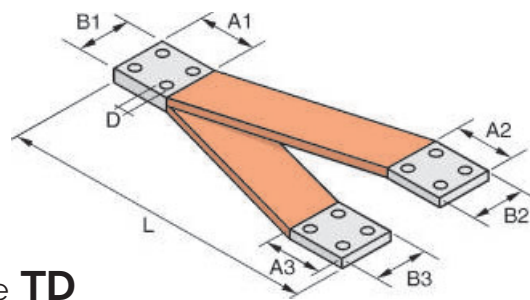
Type **M**



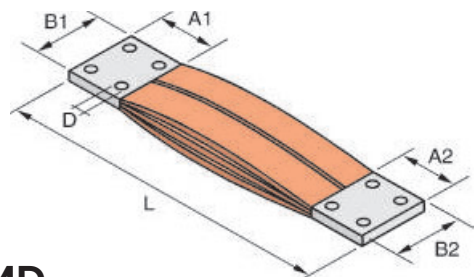
Type **VM**



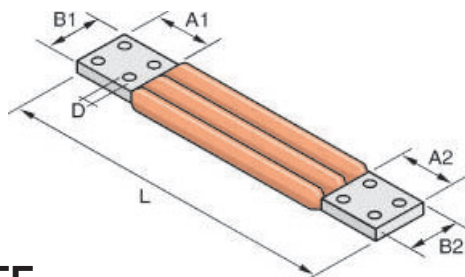
Type **UD**



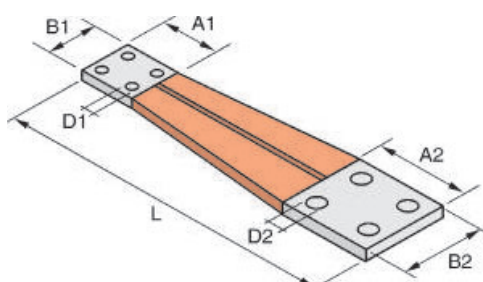
Type **TD**



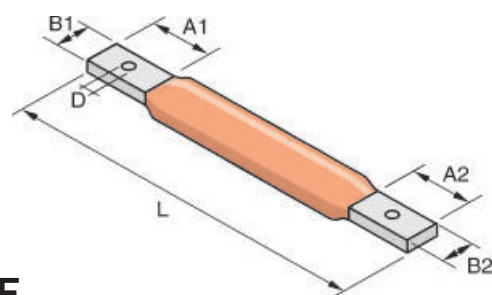
Type **MD**



Type **FF**



Type **TV**



Type **F**