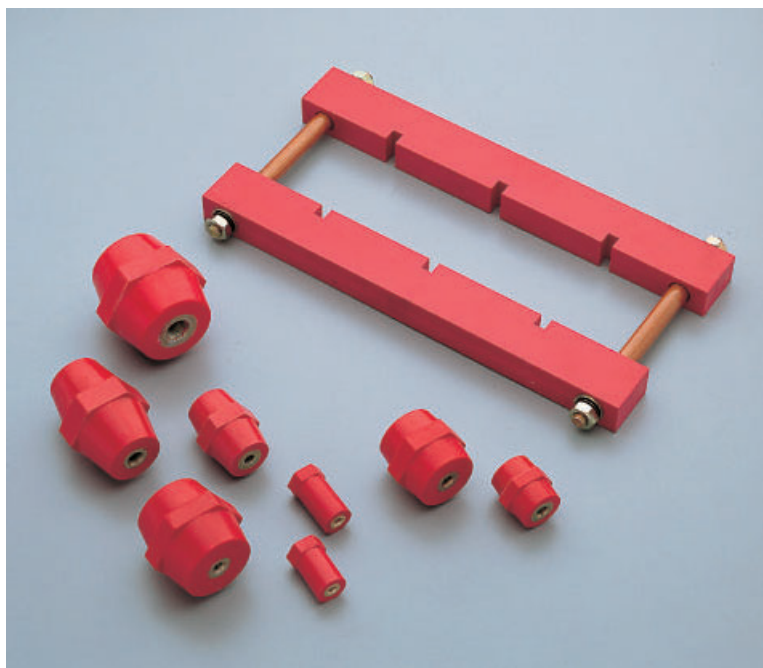
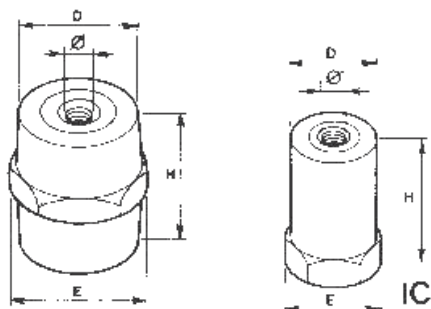


ISOLATORI SPACERS INSULATORS

► Resina poliesteri colore rosso RAL 3002
Glass reinforced polyester, red colour

► Inserti metallici femmina con filettatura metrica
UNI 4534-64
Female thread inserts, metric UNI 4534-64



Cod.	Dimensioni Dimensions				Carico rottura kg/kgm. Mechanical strong point kg/kgm				Tensione esercizio Operating voltage V-	Temper. esercizio Operating temper.	
	H mm.	D mm.	E mm.	Ø mm.	Trazione Strength	Compr. Compress	Torsione Twist	Taglio Bending			
IS 12 - 3	12	10	10	3 MA	—	—	—	—	110	- 40 + 130°C	
IS 16 - 4	16	12	15	4 MA	100	500	0,4	50	400		
IS 20 - 4	20	15	19	4 MA	150	600	0,4	60	600		
IS 25 - 5	25	18	22	5 MA	400	2400	3	180	600		
IS 30 - 6	30	26	30	6 MA	600	5000	3	300	600		
IS 30 - 8	30	26	30	8 MA	600	5000	3	300	600		
IS 35 - 6	35	29	32	6 MA	900	7000	5/10	500	1000		
IS 35 - 8	35	29	32	8 MA	900	7000	5/10	500	1000		
IS 35 - 10	35	29	32	10 MA	900	7000	5/10	500	1000		
IS 40 - 8 S	40	34	41	8 MA	1100	8500	10	850	1000		
IS 40 - 10 S	40	34	41	10 MA	1100	8500	10	850	1000		
IS 45 - 8 S	45	38	46	8 MA	1300	10000	10	850	1000		
IS 45 - 10 S	45	38	46	10 MA	1300	10000	10	850	1000		
IS 50 - 8	50	30	36	8 MA	900	7000	5/10	500	1000		
IS 50 - 10	50	30	36	10 MA	900	7000	5/10	500	2000		
IS 50 - 8 S	50	40	50	8 MA	1400	11000	10	850	2000		
IS 50 - 10 S	50	40	50	10 MA	1400	11000	10	850	2000		
IS 60 - 8 S	60	43	55	8 MA	1500	12000	10	850	3000		
IS 60 - 10 S	60	43	55	10 MA	1500	12000	10	850	3000		
IS 65 - 8	65	32	41	8 MA	1000	8500	5/10	600	3000		
IS 65 - 10	65	32	41	10 MA	1000	8500	5/10	600	3000		
IS 70 - 12 S	70	48	60	12 MA	3000	17000	10/15	1600	4000		
IS 75 - 10	75	38	50	10 MA	2400	12500	10/15	950	5000		
IS 75 - 12	75	38	50	12 MA	2400	12500	10/15	950	5000		
IS 100 - 12 S	100	52	65	12 MA	3000	17000	15	1600	8000		
IC 20/30 - 6	30	20	20	6 MA	400	2400	1,5	200	600		- 40 + 130°C
IC 20/35 - 6	35	20	20	6 MA	400	2400	1,5	200	600		
IC 20/35 - 8	35	20	20	8 MA	400	2400	1,5	200	600		
IC 20/40 - 6	40	20	20	6 MA	400	2400	1,5	200	600		
IC 20/40 - 8	40	20	20	8 MA	400	2400	1,5	200	600		
IC 30/40 - 8	40	30	30	8 MA	900	5000	2,5	300	1000		
IC 30/50 - 8	50	30	30	8 MA	900	5000	2,5	200	1000		
IC 30/60 - 8	60	30	30	8 MA	900	5000	2,5	150	1000		
IC 40/50 - 8	50	40	40	8 MA	1000	8000	3	500	1500		
IC 40/60 - 8	60	40	40	8 MA	1000	8000	3	370	1500		